



# Alexandria - Wall Mount Installation Instructions

## Set up

1. Remove the legs, leg connectors and top end caps from the Warmrail and store them in a safe place in case you wish to use them later. Figure A. A bracket template has been included to facilitate the installation of the wall mounts.
2. Make sure all wall mount pieces are present. Figure B. (Do not try to install the Warmrail if any parts are missing. Contact customer service for replacement parts). Figure C shows the Warmrail installed using the wall mounts.

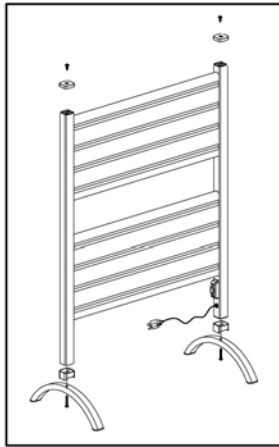


Figure A

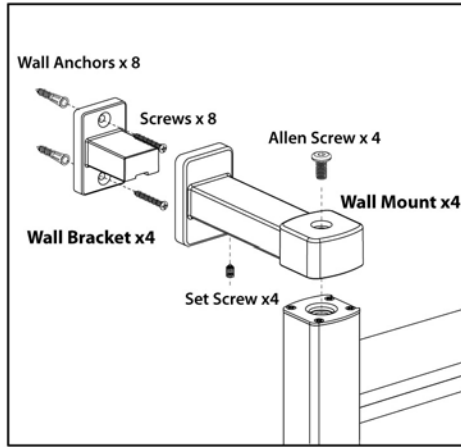


Figure B

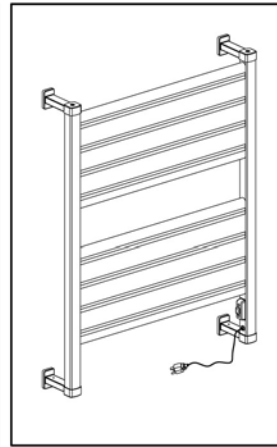
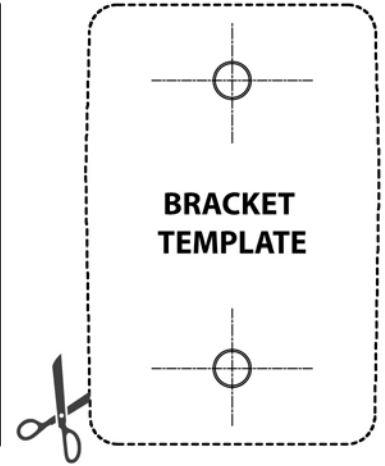
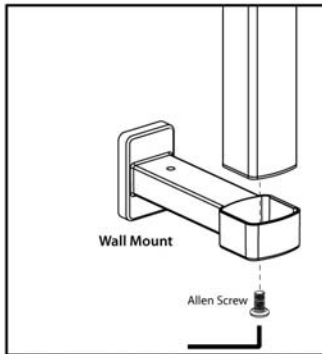


Figure C

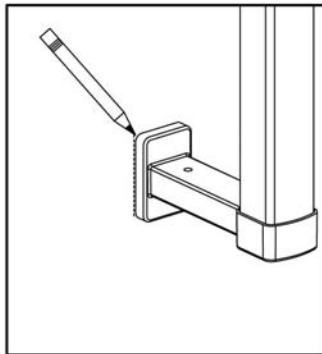


## Installation Steps

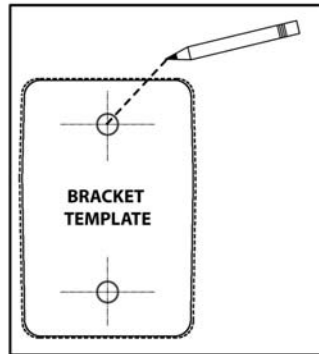
- Step 1** Attach the 4 Wall Mounts to the Warmrail using the Allen Screws provided.
- Step 2** Place the Warmrail against the wall in the position you would like it to be. If possible it is best to try and have at least two of the Wall Brackets screwed directly into a stud. Make sure the unit is level. Have another person outline the position of the Wall Mounts on the wall using a pencil (not provided).
- Step 3** Cut out the bracket template from this instruction sheet. Place the template inside each of the Wall Mount Outlines and mark the required location for the holes. Drill holes on each of the marks you have made and insert the Wall Anchors into the holes. You can now erase the Wall Mount Outlines from Step 2.
- Step 4** Screw the 4 Wall Brackets to the wall making sure they are positioned correctly (see Step 5).
- Step 5** Make sure wall brackets are positioned correctly to accept the Set Screws.
- Step 6** Place the Warmrail Wall Mounts over the Wall Brackets.
- Step 7** Screw in the Set Screws to secure the Warmrail to the Wall Brackets.
- Step 8** Plug the cord into a 120V outlet and turn the Warmrail on at the switch. Your Warmrail will start to heat up almost immediately. Temperature will vary depending on the temperature of the surroundings.



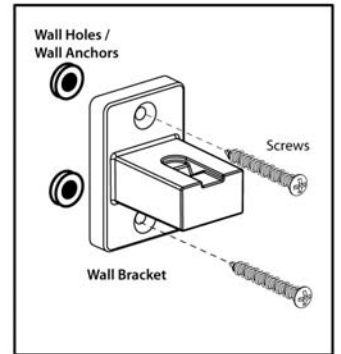
Step 1



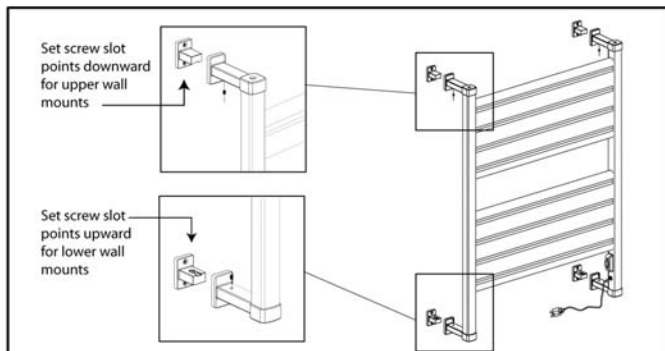
Step 2



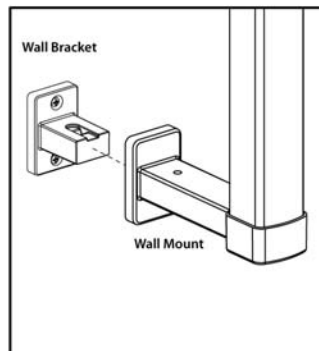
Step 3



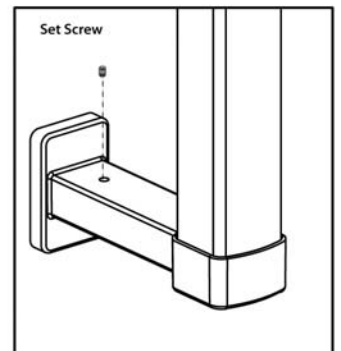
Step 4



Step 5



Step 6



Step 7