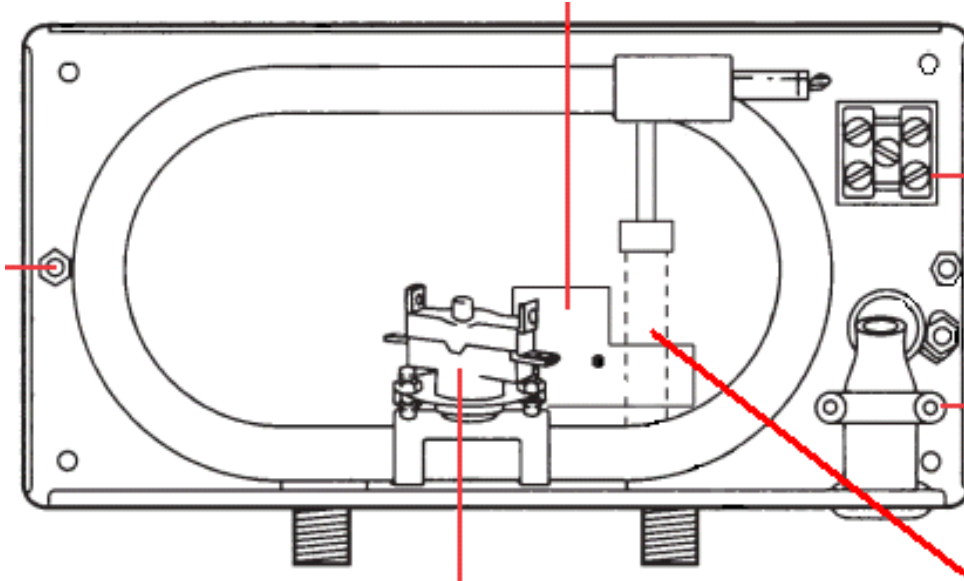


INTERIOR COMPONENTS DIAGRAM

Model: AE12

Printed Circuit Board
#93-793753

Cover retaining
screw
#93-793752



Terminal Block
#93-793703

Cable clamp &
rubber boot
#93-793709

Thermal cut-out
#93-793765

Brass inlet assembly
(flow switch)
#93-793755

Wiring assembly (not shown)
#93-793751