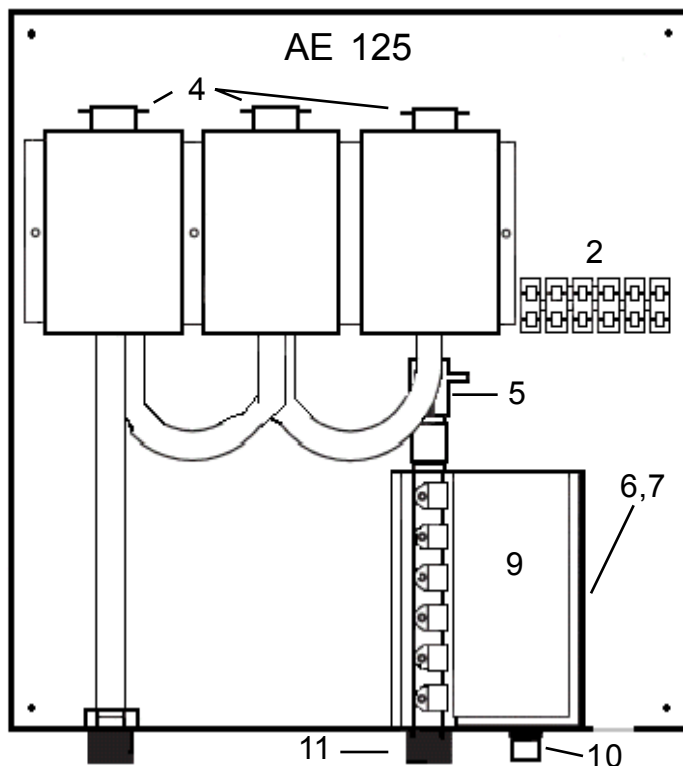
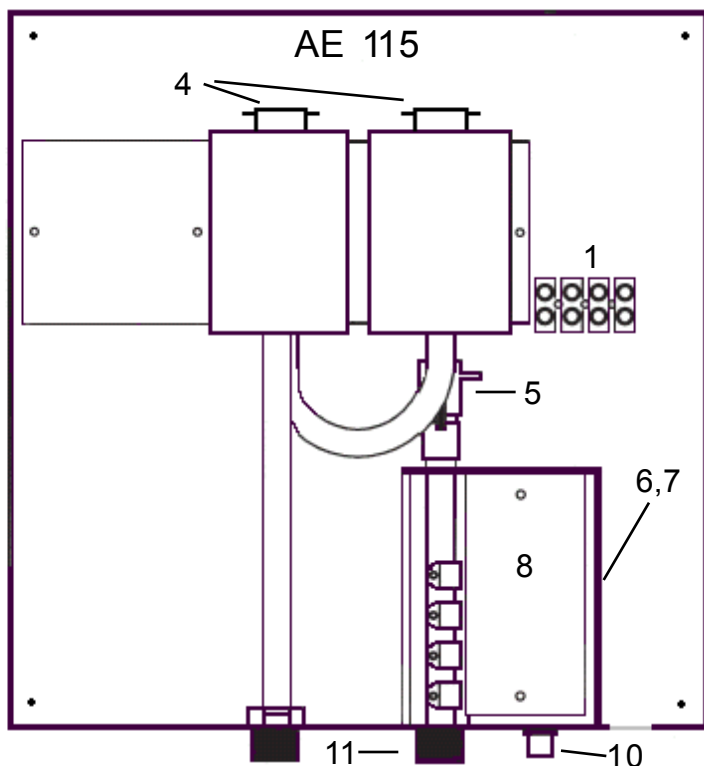


POWERSTAR AE115 / AE125 INTERIOR COMPONENTS DIAGRAM AND PARTS LIST



1	4 WAY TERMINAL BLOCK (AE115)	93 793770
2	6 WAY TERMINAL BLOCK (AE125)	93 793771
3	FRONT COVER (not shown)	93 793772
4	THERMAL CUT-OUT	93 793773
5	FLOW TRANSDUCER	93 793774
6	PCB ENCLOSURE (lid)	93 793775
7	PCB ENCLOSURE (base)	93 793776
8	CONTROL PCB (AE115)	93 793777
9	CONTROL PCB (AE125)	93 793778
10	ADJUSTMENT KNOB	93 793779
11	3/4" INLET FILTER SCREEN	93 793784