

OPERATING INSTRUCTIONS AND OWNER'S MANUAL

MR. HEATER

MODEL
MH55FAV, MH85FAV
MH125FAV

READ INSTRUCTIONS CAREFULLY: Read and follow all instructions. Place instructions in a safe place for future reference. Do not allow anyone who has not read these instructions to assemble, light, adjust or operate the heater.

HEATSTAR

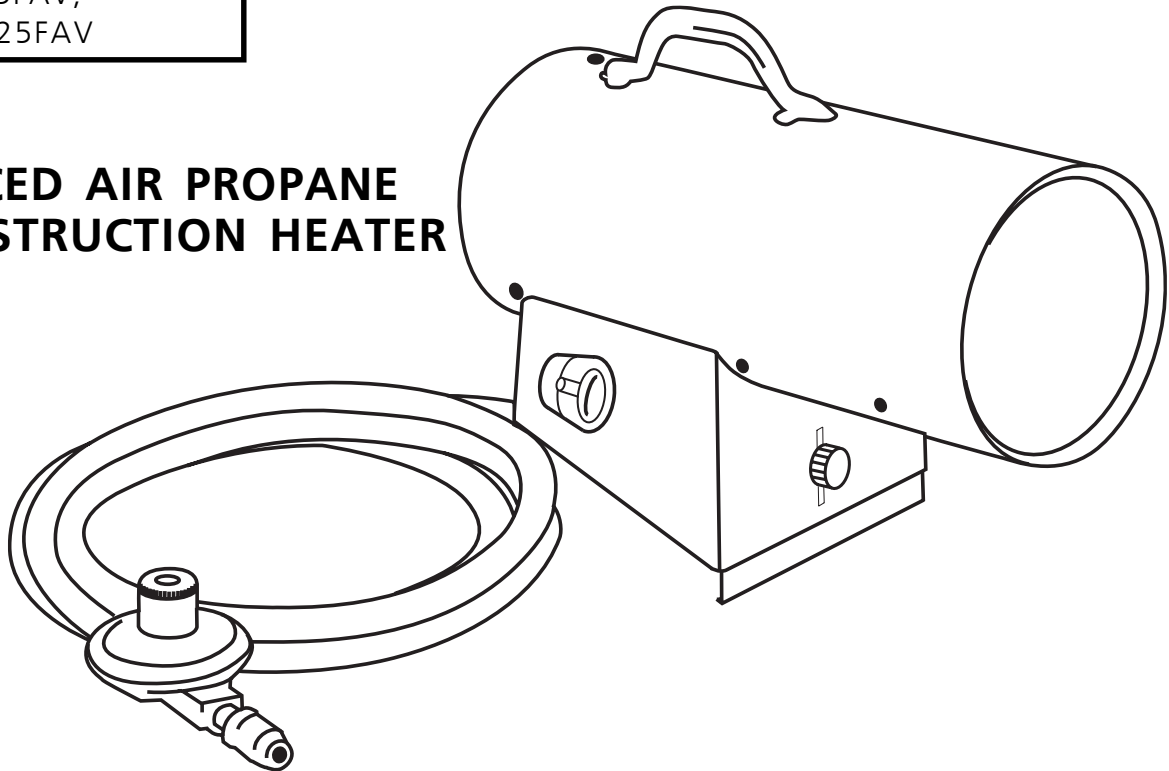
MODEL
HS55FAV, HS85FAV
HS125FAV

BUDDY-PRO

MODEL
TS55FAV,
TS125FAV

Serial Number 55FAV MHC700550016976
85FAV MHC700850007480
125FAV MHC701250013691

FORCED AIR PROPANE CONSTRUCTION HEATER



⚠ WARNING: If the information in this manual is not followed exactly, a fire or explosion may result causing property damage, personal injury or loss of life.

- Do not store or use gasoline or other flammable vapors and liquids in the vicinity of this or any other appliance.
- An LP cylinder not connected for use shall not be stored in the vicinity of this or any other appliance.
- WHAT TO DO IF YOU SMELL GAS
 - Do not try to light appliance.
 - Extinguish any open flame.
 - Shut off gas to appliance.
- Service must be performed by a qualified service agency.

This is an unvented gas-fired portable heater. It uses air (oxygen) from the area in which it is used. Adequate combustion and ventilation air must be provided. Refer to page 3.

⚠ WARNING: YOUR SAFETY IS IMPORTANT TO YOU AND TO OTHERS, SO PLEASE READ THESE INSTRUCTIONS BEFORE YOU OPERATE THIS HEATER.

GENERAL HAZARD WARNING:

- ⚠ FAILURE TO COMPLY WITH THE PRECAUTIONS AND INSTRUCTIONS PROVIDED WITH THIS HEATER, CAN RESULT IN DEATH, SERIOUS BODILY INJURY AND PROPERTY LOSS OR DAMAGE FROM HAZARDS OF FIRE, EXPLOSION, BURN, ASPHYXIATION, CARBON MONOXIDE POISONING, AND/OR ELECTRICAL SHOCK.
- ⚠ ONLY PERSONS WHO CAN UNDERSTAND AND FOLLOW THE INSTRUCTIONS SHOULD USE OR SERVICE THIS HEATER.
- ⚠ IF YOU NEED ASSISTANCE OR HEATER INFORMATION SUCH AS AN INSTRUCTIONS MANUAL, LABELS, ETC. CONTACT THE MANUFACTURER.

⚠ WARNING: NOT FOR HOME OR RECREATIONAL VEHICLE USE

⚠ WARNING: FIRE, BURN, INHALATION, AND EXPLOSION HAZARD. KEEP SOLID COMBUSTIBLES, SUCH AS BUILDING MATERIALS, PAPER OR CARDBOARD, A SAFE DISTANCE AWAY FROM THE HEATER AS RECOMMENDED BY THE INSTRUCTIONS NEVER USE THE HEATER IN SPACES WHICH DO OR MAY CONTAIN VOLATILE OR AIRBORNE COMBUSTIBLES, OR PRODUCTS SUCH AS GASOLINE, SOLVENTS, PAINT THINNER, DUST PARTICLES OR UNKNOWN CHEMICALS.

The State of California requires the following warning:

⚠ WARNING: COMBUSTION BY-PRODUCTS PRODUCED WHEN USING THIS PRODUCT CONTAIN CARBON MONOXIDE, A CHEMICAL KNOWN TO THE STATE OF CALIFORNIA TO CAUSE CANCER AND BIRTH DEFECTS (OR OTHER REPRODUCTIVE HARM).

CONTENTS

HEATER SPECIFICATIONS..... 2
WARNINGS 2
OPERATING PRECAUTIONS 3
SAFETY PRECAUTIONS 4
ODOR FADE WARNING 5
OPERATING INSTRUCTIONS 6
SERVICING 6
SIZE AND CAPACITY OF PROPANE CYLINDERS REQUIRED..... 7
WIRING DIAGRAMS 8
55FAV PARTS..... 9
85FAV PARTS..... 9
125FAV PARTS 9
WARRANTY 12

SPECIFICATIONS

Type of Gas: For use with Propane Only
Gas Supply Pressure
to regulator..... Max.: Bottle Pressure .
to regulator..... Min.: 5 psig (34.5 kPa)
regulator out 28" W.C. (6.97 kPa)
Electrical Input:..... 115V, 60 Hz, 1Ø, 3a
Min. Operating Voltage: 100V
Ignition: Direct Spark
Primary
Flame Control:..... Thermocouple Operated Gas Valve
High Temperature
Control: 240°F (116°C)
Min. Ambient Temp. Rating 0°F (-17.8°C)

SPECIFICATIONS

Model:	55FAV	85FAV	125FAV
Rating:	30,000-55,000 Btu/Hr (8.8-16.1 kW)	50,000 – 85,000 Btu/hr (14.6 – 25.0 kW)	75,000 – 125,000 Btu/hr (21.9 – 36.6 kW)
Fuel Consumption:	1.4-2.5 #/hr (.64-1.1 kg/hr)	2.3 – 3.9 #/hr (1.04 – 1.77 kg/hr)	3.5 – 5.8 #/hr (1.59 – 2.63 kg/hr)
Fuel Orifice Port No.:	18	18	18
Fuel Orifice Port Size:	0.0196" (0.50mm)	0.0240" (0.6024mm)	0.0295" (0.75mm)
Heated Air Output:	300 cfm (8.49 cmm)	350 cfm (9.91 cmm)	350 cfm (9.91 cmm)
Average Air Temp. Rise:	200°F (111°C)	200°F (111°C)	400°F (232°C)

OPERATING PRECAUTIONS

This is a propane, direct-fired, forced air heater. It's intended use is primarily temporary heating of buildings under construction, alteration or repair.

Propane is heavier than air. If propane leaks from a connection or fitting, it sinks to the floor, collecting there with the surrounding air, forming a potentially explosive mixture. Obviously, propane leaks should be avoided, so set up the propane supply with utmost care. Read enclosed Odor Fade and Propane Sheet for additional information about detecting propane leaks. Leak check new connections or reconnections with a soap and water solution and follow all connection instructions herein. Also, ask your propane dealer for advice on the propane application and supply installation and ask him to check it if there are any questions.

This heater was designed and certified for use as a construction heater in accordance with ANSI Standard Z83.7/CGA 2.14-2000. Check with your local fire safety authority if you have any questions about your applications. Other standards govern the use of fuel gases and heat producing products in specific applications. Your local authority can advise you about these.

Direct-Fired means that all of the combustion products enter the heated space. Even though this heater operates very close to 100 percent combustion efficiency, it still produces small amounts of carbon monoxide. Carbon monoxide (called CO) is toxic. We can tolerate small amounts but not a lot. CO can build up in a heated space and failure to provide adequate ventilation could result in death. The symptoms of inadequate ventilation are:

- headache
- dizziness
- burning eyes and nose
- nausea
- dry mouth or sore throat

So, be sure to follow advice about ventilation in these operating instructions.

Forced Air means that a blower or fan pushes the air through the heater. Proper combustion depends upon this air flow; therefore, the heater must not be revised, modified or operated

with parts removed or missing. Likewise, safety systems must not be circumvented or modified in order to operate the heater.

When the heater is to be operated in the presence of other people the user is responsible for properly acquainting those present with the safety precautions and instructions, and of the hazards involved.

SAFETY PRECAUTIONS

1. Check the heater thoroughly for damage. DO NOT operate a damaged heater.
2. DO NOT modify the heater or operate a heater which has been modified from its original condition.
3. Use only propane gas.
4. Use only VAPOR WITHDRAWAL propane supply. If there is any question about vapor withdrawal, ask your propane dealer.
5. Mount the propane cylinders vertically (shutoff valve up). Secure them from falling or being knocked over and protect them from damage.
6. Locate propane containers at least (USA) 7 ft. (2.13m), (Canada) 10 ft. (3m) from the heater and **do not** direct exhaust toward containers.
7. **IMPORTANT** Use only the hose and regulator assembly provided with the heater. Match the color stripe on the hangtag attached to the hose assembly with the color on the label located near the propane inlet fitting on the heater. Inspect hose assembly before each use of the heater. If there is excessive abrasion or wear, or hose is cut, replace with hose assembly listed on parts list before using heater.
8. For indoor use only. Area must be well ventilated. **Figure 1.** (also see "Operating Precautions").
9. If at any time gas odor is detected, IMMEDIATELY DISCONTINUE operation until the source of gas has been located and corrected. Read enclosed Odor fade and Propane Sheet for additional information about detecting propane leaks.
10. Install the heater such that it is not directly exposed to water spray, rain and/or dripping water.
11. Maintain minimum clearance from normal combustible material (like paper). **Figure 2.**
12. Due to the high surface and exhaust temperatures, adults and children must observe clearances to avoid burns or clothing ignition.
13. Operate only on a stable, level surface.
14. Do not use with ductwork. Do not restrict inlet or exit.
15. Use only the electrical power specified. The electrical connection and grounding must comply with National Electrical Code - ANSI/NFPA 70 (USA) and CSA C22.1 Canadian Electrical Code, Part 1 (Canada).
16. Use only a properly grounded 3-prong receptacle or extension cord.
17. Do not move, handle or service while hot or burning.
18. **Do not adjust the heater combustion tube elevation while heater is running or hot. Adjustments to elevation should only be made after the heater has cooled to touch.**
19. Use only in accordance with local codes or, in the absence of local codes, with the Standard for the Storage and Handling of Liquefied Petroleum Gases ANSI/NFPA 58 and CSA B149.1, Natural Gas and Propane Installation Code.

Figure 1

VENTILATION: Minimum openings required		
Heater	Opening near floor	Opening near ceiling
Forced air (55)	1 ft ²	1 ft ²
Forced air (85, 125)	2 ft ²	2 ft ²

Figure 2

MINIMUM CLEARANCE: From normal combustible material	
Clearance	55, 85, 125 Forced Air
From floor	0 ft
From outlet	6 ft
From sides	2 ft
From top	3 ft

Locate 10 ft. from canvas or plastic tarpaulins or similar coverings and secure them to prevent flapping or movement due to wind action.

ODOR FADE WARNING

WARNING

⚠️ Asphyxiation Hazard

- Do not use this heater for heating human living quarters.
- Do not use in unventilated areas.
- The flow of combustion and ventilation air must not be obstructed.
- Proper ventilation air must be provided to support the combustion air requirements of the heater being used.
- Refer to the specification section of the heater's manual, heater dataplate, or contact the factory to determine combustion air ventilation requirements of the heater.
- Lack of proper ventilation air will lead to improper combustion.
- Improper combustion can lead to carbon monoxide poisoning leading to serious injury or death. Symptom of carbon monoxide poisoning can include headaches, dizziness and difficulty in breathing.

FUEL GAS ODOR

LP gas and natural gas have man-made odorants added specifically for detection of fuel gas leaks. If a gas leak occurs you should be able to smell the fuel gas. Since Propane (LP) is heavier than air you should smell for the gas odor low to the floor. ANY GAS ODOR IS YOUR SIGNAL TO GO INTO IMMEDIATE ACTION!

- Do not take any action that could ignite the fuel gas. Do not operate any electrical switches. Do not pull any power supply or extension cords. Do not light matches or any other source of flame. Do not use your telephone.
- Get everyone out of the building and away from the area immediately.
- Close all propane (LP) gas tank or cylinder fuel supply valves, or the main fuel supply valve located at the meter if you use natural gas.
- Propane (LP) gas is heavier than air and may settle in low areas. When you have reason to suspect a propane leak, keep out of all low areas.
- Use your neighbor's phone and call your fuel gas supplier and your fire department. Do not re-enter the building or area.
- Stay out of the building and away from the area until declared safe by the firefighters and your fuel gas supplier.
- FINALLY, let the fuel gas service person and the firefighters check for escaped gas. Have them air out the building and area before you return. Properly trained service people must repair any leaks, check for further leakages, and then relight the appliance for you.

ODOR FADING - NO ODOR DETECTED

- Some people cannot smell well. Some people cannot smell the odor of the man-made chemical added to propane (LP) or natural gas. You must determine if you can smell the odorant in these fuel gases.
- Learn to recognize the odor of propane (LP) gas and natural gas. Local propane (LP) gas dealers will be more than happy to give you a scratch and sniff pamphlet. Use it to become familiar with the fuel gas odor.
- Smoking can decrease your ability to smell. Being around an odor for a period of time can affect your sensitivity to that particular odor. Odors present in animal confinement buildings can mask fuel gas odor.
- **The odorant in propane (LP) gas and natural gas is colorless and the intensity of its odor can fade under some circumstances.**
- If there is an underground leak, the movement of gas through the soil can filter the odorant.
- Propane (LP) gas odor may differ in intensity at different levels. Since Propane (LP) gas is heavier than air, there may be more odor at lower levels.
- **Always be sensitive to the slightest gas odor.** If you continue to detect any gas odor, no matter how small, treat it as a serious leak. Immediately go into action as discussed previously.

ATTENTION - CRITICAL POINTS TO REMEMBER!

- Propane (LP) gas has a distinctive odor. Learn to recognize these odors. (Reference Fuel Gas Odor and Odor Fading sections above.)
- Even If you are not property trained in the service and repair of the heater, ALWAYS be consciously aware of the odors of propane (LP) gas and natural gas.
- If you have not been properly trained in repair and service of propane (LP) gas then do not attempt to light heater, perform service or repairs, or make any adjustments to the heater on the propane (LP) gas fuel system.
- A periodic sniff test around the heater or at the heater's joints; i.e. hose, connections, etc., is a good safety practice under any conditions. If you smell even a small amount of gas, CONTACT YOUR FUEL GAS SUPPLIER IMMEDIATELY. DO NOT WAIT!

OPERATING INSTRUCTIONS

PREPARING FOR OPERATION

1. Check the heater for possible shipping damage. If any is found, *immediately* notify the factory.
2. Follow all of the "Precautions".
3. Connect the POL fitting of hose and regulator assembly to the propane cylinder by rotating the POL nut counterclockwise into the propane cylinder's valve outlet and securely tighten with a wrench.
4. Connect the hose to the heater by rotating the hose fitting clockwise.
5. Securely tighten all gas connections.
6. Open the cylinder's gas valve and check all gas connections with a soap and water solution. **DO NOT USE A FLAME.**
7. Connect power cord to well-grounded 115V, 60 Hz, 1Ø source of power.
8. When using an extension cord, make certain that it is a 3-wire (grounded) cord of proper wire size.

START

1. Before heater ignition, always allow heater fan (blower) to run for 20 seconds to purge fuel.
2. Slowly open the main valve at propane cylinder.
3. Depress the fuel valve button to light the 55FAV, 85FAV and 125FAV models.
4. After the heater lights, keep the gas valve button depressed for 15 seconds then release and the heater will continue to operate.
5. Adjust burn rate by setting control knob to desired level.
6. Igniter continues to fire as long as power cord is plugged in.
 - a) Igniter sparks continually.
7. No thermostat usable with these units.

STOP

1. Securely close valve on the propane cylinder.
2. Continue to operate heater until all fuel in the hose has burned.
3. Unplug the power cord.

RESTART AFTER SAFETY SHUTDOWN

1. Securely close valve at propane cylinder. Unplug heater.
2. Wait 5 minutes.
3. Restart following "Start" procedure.

MAINTENANCE AND STORAGE

1. The heater should be inspected before each use, and at least annually by a qualified person.
2. Before each use, check the soft "O" ring seat at the bullnose of the POL fitting. If the "O" ring is cut, scuffed, or otherwise damaged, replace it with part number 73786.
3. Turn off the gas at the LP-gas supply cylinder(s) when the heater is not in use.
4. When the heater is to be stored indoors, the connection between the LP-gas supply cylinder(s) and the heater must be disconnected and the cylinder(s) removed from the heater and stored out of doors and in accordance with Chapter 5 of the standard for Storage and Handling of Liquefied Petroleum Gases ANSI/NFPA 58 and CSA B149.1, Natural Gas and Propane Installation Code.

SERVICING

A hazardous condition may result if a heater is used that has been modified or is not functioning properly. When the heater is working properly:

- The flame is contained within the heater.
- The flame is essentially blue with perhaps some yellow tipping.
- There is no strong disagreeable odor, eye burning or other physical discomfort.
- There is no smoke or soot internal or external to the heater.
- There are no unplanned or unexplained shut downs of the heater.

The parts lists and wiring diagram show the heater as it was constructed. Do not use a heater which is different from that shown. In this regard, use only the hose, regulator and cylinder connection fitting (called a POL fitting) supplied with the heater. **IMPORTANT** Match the color stripe on the hangtag attached to the hose assembly with the color on the label located near the propane inlet fitting on the heater. Do not use alternates. For this heater, the regulator must be set as shown in "specifications". If there is any uncertainty about the regulator setting, have it checked.

A heater which is *not* working right must be repaired, but *only* by a trained, experienced service person.

In-warranty products will be repaired with no charge for either parts or labor. Please include a brief statement indicating date, place of purchase, the nature of the problem and proof of purchase.

Out-of-warranty products will be repaired with a charge for parts and labor.

Heater Elevation Adjustment

This heater is equipped with an elevation adjustment panel located at the exhaust end of the control box.

1. Do not adjust the heater combustion tube elevation while heater is running or hot. Adjustments to elevation should only be made after the heater has cooled to touch.
2. To adjust the heater combustion tube elevation, turn the adjustment screw knob counterclockwise and lift the combustion tube to desired position.

SIZE AND CAPACITY OF PROPANE CYLINDERS REQUIRED

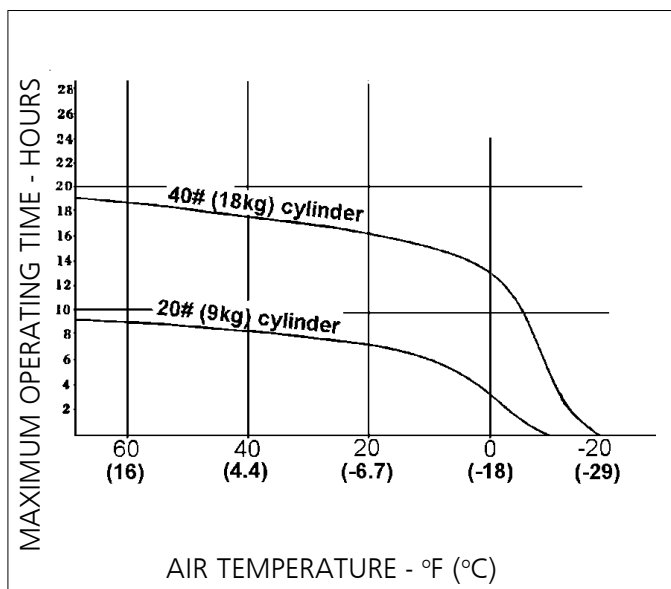
The charts below show the approximate size of the cylinder required for these heaters. To use the chart:

1. Select the lowest air temperature expected (at the bottom of the chart).
2. Move straight up to time of operation desired (left side of chart).
3. Read the cylinder size required.

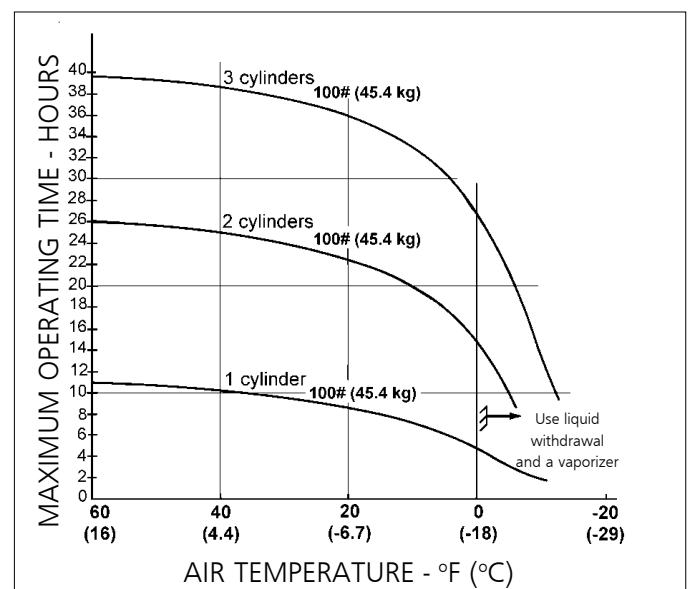
All heaters should have:

- full cylinders
- good air circulation
- no frost on cylinders

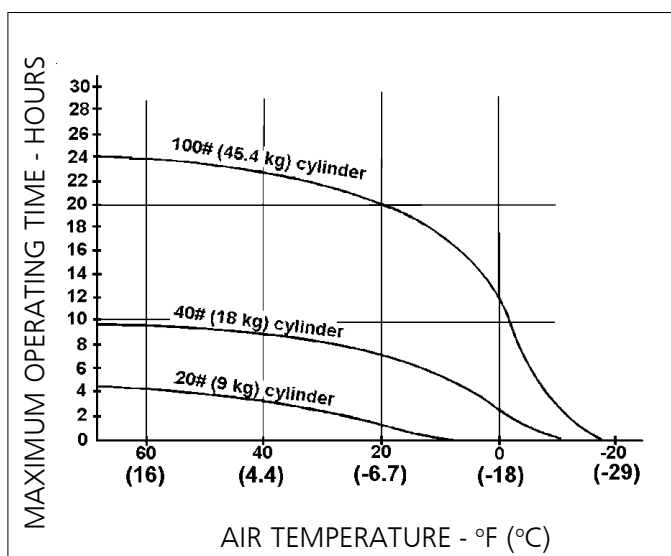
55,000 BTU/HR (16.1 kW)



125,000 BTU/HR (49.1 kW)

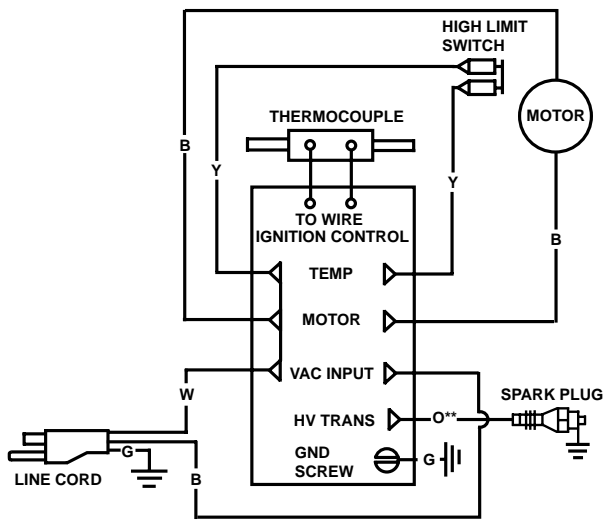


85,000 BTU/HR (33.4 kW)

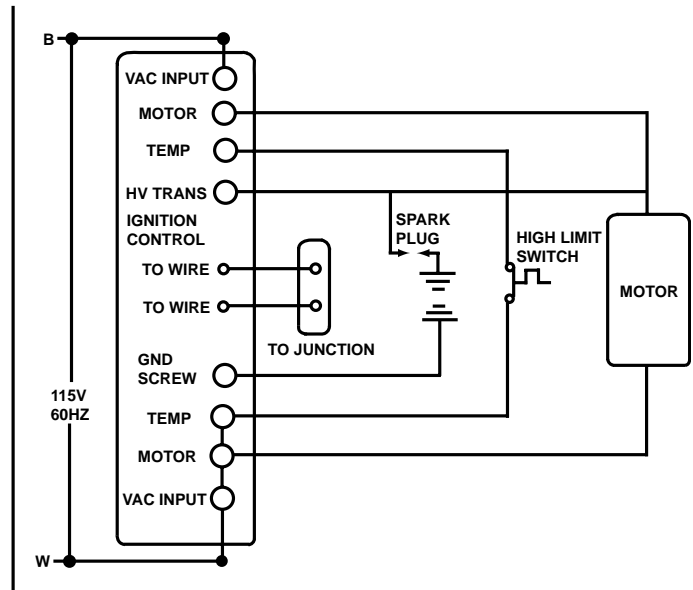


WIRING DIAGRAMS

CONNECTION DIAGRAM



SCHEMATIC DIAGRAM



COLOR CODE		LEGEND	
B	BLACK	R	RED
W	WHITE	Y	YEL
G	GREEN	O	ORG
		⏏	FEMALE CONN.
		⊙	RING CONN.

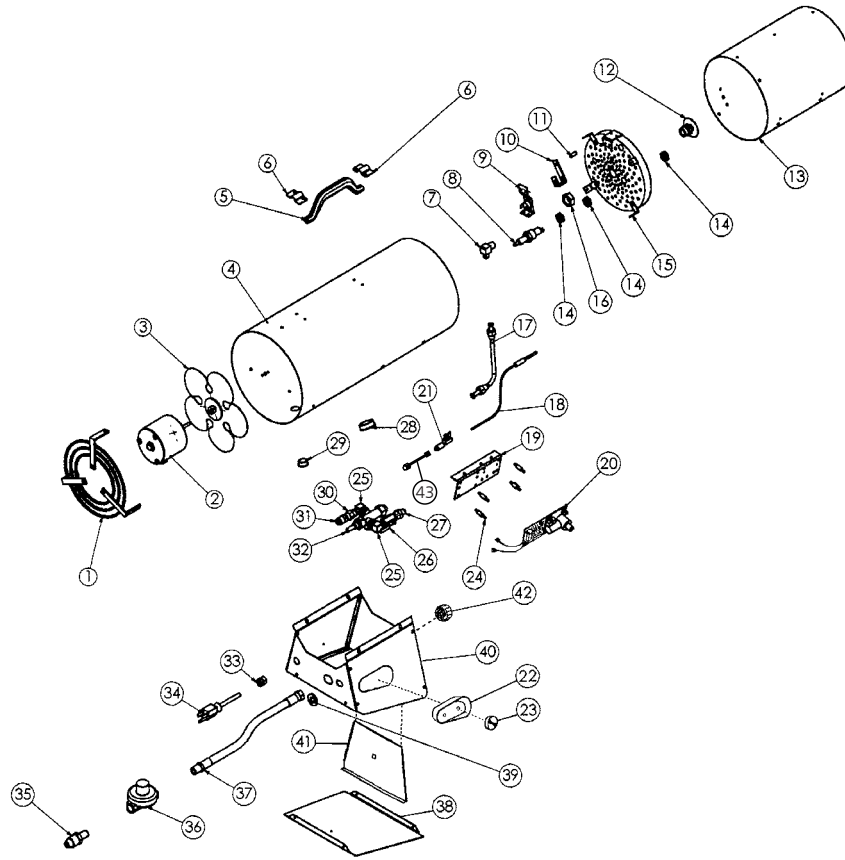
NOTE: If any original wiring as supplied with the heater, must be replaced, It must be replaced with Type AWG 105° C wire or its equivalent, except as indicated (Type SF 2.200, **SGI-250° C)

WIRING CHART (Wire: Type AWG 150° C or equivalent (Type SF2-200, **SGI-250° C))

55FAV, 85FAV, 125FAV

Color	Length	From	To
Yellow	18" (406mm)	High Limit	Ignition Control Temp. Terminal
Yellow	18" (406mm)	High Limit	Ignition Control Temp Terminal

Forced Air Propane Construction Heater • Model #55FAV, 85FAV, 125FAV



REF. #	ITEM #			DESCRIPTION	QTY.	REF. #	ITEM #			DESCRIPTION	QTY.
	55FAV	85FAV	125FAV				55FAV	85FAV	125FAV		
1	21654	21671	21671	Motor Grille Assy	1	30	26133	26133	26133	Ftg, Coupling	1
2	21652	21551	21551	Motor Assy	1	31	26127	26127	26127	Ftg, Male Connector	1
3	26086	26086	27898	Fan	1	32	27285	27285	27285	Thermoelectric Valve	1
4	21729	21670	21998	Outer Shell	1	33	26223	26223	26223	Strain Relief Bushing	1
	21730	21672	21999	Outer Shell - Model TS	1	34	21036	21036	21036	Power Cord Assy	1
5	27095	27095	27095	Handle	1	35	26433	26433	26433	POL Excess Flow 1/4 MPT	1
6	27094	27094	27094	Clip Handle Mounting	2	36	26257	26257	26257	Regulator 28" WC	1
7	26121	27433	27433	Ftg, Male Elbow	1	37	26152	26152	26152	Hose Assy, LP, 12'	1
8	21082	21083	21083	Spark Plug	1	*	26152-20	-----	-----	Hose Ass'y, 20'	1
9	21751	21751	22003	High Limit Control Assy	1	*	21667	21667	21667	Hose & Regulator Ass'y	1
10	---	23036	23036	Bracket Thermocouple	1	38	24017	24019	24019	Panel, Bottom	1
11	---	23787	23787	Spacer Thermocouple	1	40	24020	24022	24022	Control Box Assy	1
12	21930	21673	22002	Orifice Assy, LP	1	41	24023	24025	24025	Elevation Plate	1
13	21651	21674	22001	Middle Cylinder Assy	1	42	25026	25026	25026	Elevation Knob	1
14	23037	23037	23037	Spark Plug Nut (2-55FAV)	3	43	26656	26656	26656	Thermocouple, connector	1
15	21931	21750	22004	Flame Holder Assy	1	*	26189	---	---	Terminal "Y"	2
16	23038	23038	23038	Orifice Nut Mtg	1	*	23676	---	---	Brkt, Motor Mounting	1
17	21935	21668	21668	Fuel Tube Assy	1	*	26226	---	---	Universal Bushing	1
18	26655	26655	26655	Thermocouple 10" Lg w/JB.	1	*	70056	70056	70056	Manual, Operating Instr	1
19	23045	23045	23045	Bracket Ignition / Relay	1	*	28733	28507	28510	Label, Model	1
20	23276	23276	23276	Ignition / Relay Module	1	*	27783	28784	28784	Label, Operating Instr.	1
21	26134	26134	26134	Compression Block, Relay	1	*	26374	26374	26374	Label, Electrical Grounding	1
22	27093	27093	27093	Cover, Cup, Valve	1	*	27709	27709	27709	Label, Fuel	1
23	25027	25027	25027	Knob, Variable Rate	1	*	27503	27503	27503	Label, Wiring Diagram	1
24	26079	26079	26079	Spacer PC Standoff	3	*	26373	26373	26373	Label, Fan Rotation	1
25	26265	26265	26265	Ftg, Elbow Street	2	*	28203	28203	28203	Label Hang Tag, LP	1
26	27431	27404	27897	Variable Rate Valve	1	*	27704	27704	27704	Label, Warning	1
27	23141	27405	27405	Ftg., Female Connector	1	*	26375	26375	26375	Label Elevation Adjustment	1
28	26225	---	26227	Snap Bushing	1	*	26376	26376	26376	Label Btu/hr Adjustment	1
29	26224	---	27158	Snap Bushing, 1/2	1						
						*				Not shown on exploded view	

OPERATING INSTRUCTIONS AND OWNER'S MANUAL

MR. HEATER

MODEL MH55FAV, MH85FAV
MH125FAV

READ INSTRUCTIONS CAREFULLY: Read and follow all instructions. Place instructions in a safe place for future reference. Do not allow anyone who has not read these instructions to assemble, light, adjust or operate the heater.

HEATSTAR

MODEL HS55FAV, HS85FAV
HS125FAV

BUDDY-PRO

MODEL TS55FAV,
TS125FAV

⚠ WARNING: USE ONLY MANUFACTURER'S REPLACEMENT PARTS. USE OF ANY OTHER PARTS COULD CAUSE INJURY OR DEATH. REPLACEMENT PARTS ARE ONLY AVAILABLE DIRECT FROM THE FACTORY AND MUST BE INSTALLED BY A QUALIFIED SERVICE AGENCY. MR. HEATER HOSES F273701 AND F273702 ARE SPECIFICALLY DESIGNED FOR USE WITH THIS HEATER. USE OF OTHER HOSES MAY CAUSE THE HEATER TO BECOME INOPERABLE.

PARTS ORDERING INFORMATION:

PURCHASING: Accessories may be purchased at any Mr. Heater local dealer or direct from the factory

FOR INFORMATION REGARDING SERVICE

Please call Toll-Free 800-251-0001 • www.mrheater.com

Our office hours are 8:30 AM – 5:00 PM, EST, Monday through Friday.

Please include the model number, date of purchase, and description of problem in all communication.

LIMITED WARRANTY

The company warrants this product to be free from imperfections in material or workmanship, under normal and proper use in accordance with instructions of The Company, for a period of one year from the date of delivery to the buyer. The Company, at its option, will repair or replace products returned by the buyer to the factory, transportation prepaid within said one year period and found by the Company to have imperfections in material or workmanship.

If a part is damaged or missing, call our Technical Support Department at 800-251-0001.

Address any Warranty Claims to the Service Department, Enerco Group, Inc., 4560 W. 160TH ST., CLEVELAND, OHIO 44135. Include your name, address and telephone number and include details concerning the claim. Also, supply us with the purchase date and the name and address of the dealer from whom you purchased our product.

The foregoing is the full extent of the responsibility of the Company. There are no other warranties, express or implied. Specifically there is no warranty of fitness for a particular purpose and there is no warranty of merchantability. In no event shall the Company be liable for delay caused by imperfections, for consequential damages, or for any charges of the expense of any nature incurred without its written consent. The cost of repair or replacement shall be the exclusive remedy for any breach of warranty. There is no warranty against infringement of the like and no implied warranty arising from course of dealing or usage of trade. This warranty will not apply to any product which has been repaired or altered outside of the factory in any respect which in our judgment affects its condition or operation.

Some states do not allow the exclusion or limitation of incidental or consequential damages, so the above limitation or exclusion may not apply to you. This Warranty gives you specific legal rights, and you may have other rights which vary from state to state.

Enerco Group, Inc. reserves the right to make changes at any time, without notice or obligation, in colors, specifications, accessories, materials and models.



ANSI Z83.7/CGA 2.14-2000

ENERCO GROUP, INC., 4560 W. 160TH ST., CLEVELAND, OHIO 44135 • 216-916-3000
Mr. Heater is a registered trademarks of Enerco Group, Inc.
© 2003, Enerco/Mr. Heater. All rights reserved

GUIDE D'UTILISATION ET INSTRUCTIONS DE FONCTIONNEMENT

MR. HEATER

MH55FAV, MH85FAV
MH125FAV

MODÈLE

LISEZ SOIGNEUSEMENT LES INSTRUCTIONS :

Conservez les instructions en sécurité pour vous y référer ultérieurement. Interdisez à quiconque n'ayant pas lu les présentes instructions d'assembler, d'allumer, de régler ou de faire fonctionner cet appareil de chauffage.

MODÈLE

H555FAV, H855FAV
HS125FAV

HEATSTAR

AVERTISSEMENT: N'UTILISEZ QUE LES PIÈCES DE REMPLACEMENT DU FABRICANT. L'UTILISATION D'AUTRES PIÈCES RISQUE DE CAUSER DES BLESSURES ET LA MORT. LES PIÈCES DE REMPLACEMENT NE SONT OFFERTES QUE PAR LE FABRICANT ET DOIVENT ÊTRE INSTALLÉES PAR UNE ENTREPRISE SPÉCIALISÉE. LES TUYAUX MR. HEATER NUMÉROS F273701 ET F273702 SONT SPÉCIALEMENT CONÇUS POUR CET APPAREIL DE CHAUFFAGE. L'EMPLOI D'AUTRES TUYAUX POURRAIT RENDRE IMPOSSIBLE LE FONCTIONNEMENT DE L'APPAREIL.

INFORMATIONS SUR LA COMMANDE DE PIÈCES :

ACHAT : On peut se procurer les accessoires par l'entremise de tous les détaillants locaux Mr. Heater ou directement du fabricant.

POUR OBTENIR DES INFORMATIONS SUR LE SERVICE
Appeliez sans frais au 800-251-0001 • www.enerco-mrheater.com
Nos heures d'ouverture sont de 8 h 30 à 17 h HE, du lundi au vendredi.
Veuillez indiquer le numéro du modèle, la date d'achat et la description du problème dans toutes vos communications avec nous.

GARANTIE LIMITÉE

L'entreprise garantit ce produit contre tout défaut de matériel ou de main-d'œuvre, dans des conditions d'utilisation normale et adéquate, conformément aux instructions de l'entreprise, pour une période de un an à compter de la date de livraison à l'acheteur. L'entreprise réparera ou remplacera, à sa discrétion, les produits retournés port payé par l'acheteur au fabricant dans la période de un an et jugés par l'entreprise comme présentant des défauts de matériel ou de main-d'œuvre.

Si une pièce est endommagée ou manquante, téléphonez à notre service de soutien technique au 800-251-0001.

Adressez toute réclamation relative à la garantie à Service Département, Enerco Group, Inc., 4560 W. 160TH ST., CLEVELAND, OHIO 44135 États-Unis. Indiquez vos nom, adresse et numéro de téléphone ainsi que les détails de la réclamation. Indiquez-nous également la date d'achat et le nom et l'adresse du détaillant de qui vous avez acheté le produit.

Ce qui est énoncé ci-dessus constitue la responsabilité totale de l'entreprise. Il n'existe aucune autre garantie, expresse ou tacite. Plus précisément, il n'y a aucune garantie concernant l'adéquation à une utilisation particulière ni aucune garantie concernant la qualité marchande. En aucun cas l'entreprise ne saura être tenue responsable des retards causés par des défauts, ni des dommages indirects, ni des dépenses encourues sans son consentement écrit, quelle que soit leur nature. Le coût de la réparation ou du remplacement sera le seul recours possible en cas de violation de garantie. Il n'y a aucune garantie contre une transgression de ce genre ni aucune garantie tacite découlant des usages du commerce ou de la façon habituelle d'échanger. La présente garantie ne s'applique à aucun produit qui a été réparé ou modifié par d'autres que le fabricant si cela influe de quelque façon que ce soit sur la condition de l'appareil ou son fonctionnement, selon notre jugement.

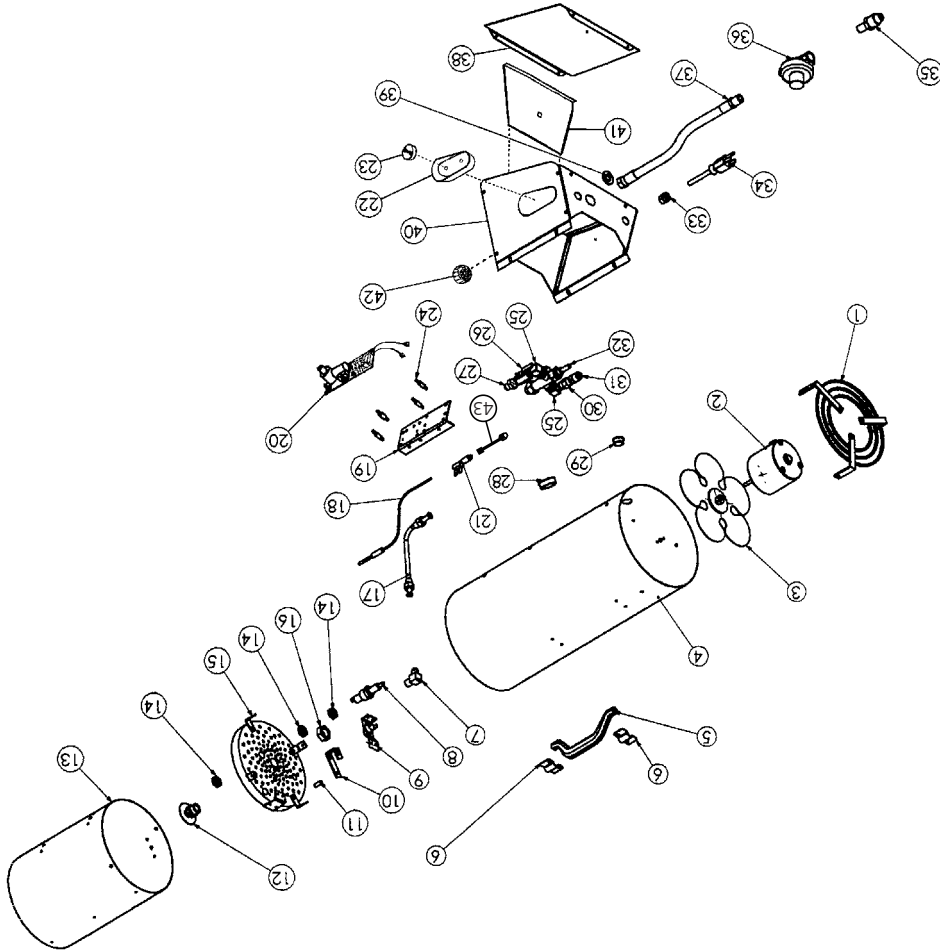
Certains États ou provinces ne permettent pas d'exclure ou de limiter les dommages indirects ou subéquents. Par conséquent, les limitations ou exclusions ci-dessus mentionnées ne vous concernent peut-être pas. La présente garantie vous accorde des droits juridiques précis, mais vous pourriez avoir d'autres droits qui varient selon la province ou l'état.

Enerco Group Inc. se réserve le droit d'effectuer des modifications en tout temps, sans préavis ni obligation, aux couleurs, aux spécifications, aux accessoires, aux matériaux et aux modèles.



ENERCO GROUP, INC., 4560 W. 160TH ST., CLEVELAND, OHIO 44135 É.-U. • (216) 916-3000
Mr. Heater est une marque de commerce déposée d'Enerco Group Inc.
© 2003, Enerco/Mr. Heater. Tous droits réservés.

Appareil de chauffage au propane à air pulsé pour chantier de construction - Modèle n° 55FAV



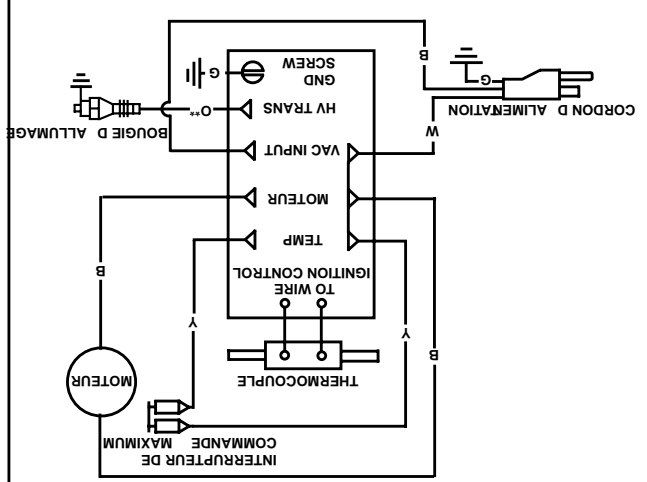
REF. N°	N° ART.	DESCRIPTION	QTE
---------	---------	-------------	-----

REF. N°	N° ART.	DESCRIPTION	QTE
---------	---------	-------------	-----

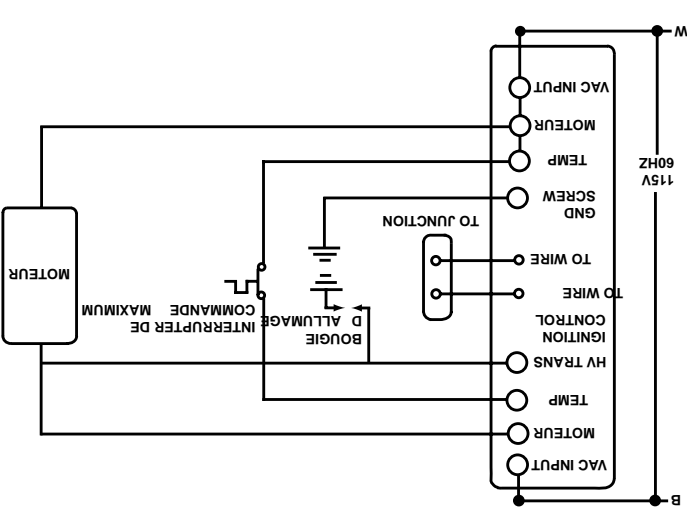
1	21652	21551	1	Grille du moteur	21671	21671	1
2	21652	21551	1	Moteur	21551	21551	1
3	26086	27898	1	Ventilateur	27898	27898	1
4	21729	21670	1	Coque extérieure	21998	21670	1
5	27095	27095	1	Poignée	27095	27095	1
6	27094	27094	1	Fixation de poignée à clip	27094	27094	1
7	26121	27433	1	Raccord, coude mâle	27433	27433	1
8	21082	21083	1	Bougie d'allumage	21083	21083	1
9	21751	22003	1	Limiteur supérieur	22003	21751	1
10	—	23036	1	Support thermocouple	23036	23036	1
11	—	23877	1	Entroise thermocouple	23877	23877	1
12	21930	21673	1	Orifice, LP	22002	21673	1
13	21651	22001	1	Cylindre médian	22001	21674	1
14	23037	23037	3	Ecran de bougie (2-55FAV)	23037	23037	3
15	21931	22004	1	Veilleuse	22004	21750	1
16	23038	23038	1	Fixation, écrou d'orifice	23038	23038	1
17	21935	21668	1	Tube de carburant	21668	21668	1
18	26655	26655	1	Thermocouple 10" Lg avec JB	26655	26655	1
19	23045	23045	1	Support allumage / relais	23045	23045	1
20	23276	23276	1	Allumage / module de relais	23276	23276	1
21	26134	26134	1	Bloc compresseur, relais	26134	26134	1
22	27093	27093	1	Couvercle, godet, robinet	27093	27093	1
23	25027	25027	1	Bouton, débit, variable	25027	25027	1
24	26079	26079	3	Entroise PC	26079	26079	3
25	26265	26265	2	Raccord, coude de rue	26265	26265	2
26	27431	27404	1	Vanne, débit variable	27897	27404	1
27	23141	27405	1	Raccord, connecteur femelle	27405	27405	1
28	26225	—	1	Douille pression	26227	26225	1
29	29224	26224	1	Douille pression, 1/2	27158	26224	1
30	26133	26133	1	raccord, accouplement	26133	26133	1
31	26127	26127	1	Raccord, connecteur mâle	26127	26127	1
32	27285	27285	1	Vanne thermoélectrique	27285	27285	1
33	26223	26223	1	Douille anti-tension	26223	26223	1
34	21036	21036	1	Cordon d'alimentation	21036	21036	1
35	26433	26433	1	POL débit excessif 1/4 MPT	26433	26433	1
36	26257	26257	1	Régulateur 28" C.E.	26257	26257	1
37	26152	26152	1	Tuyau, LP, 12"	26152	26152	1
38	26152-20	26152-20	1	Assemblage tuyau, 20"	26152-20	26152-20	1
39	24019	24019	1	Panneau, partie inférieure	24019	24019	1
40	24022	24022	1	Boîte de commande	24022	24022	1
41	24023	24023	1	Plaque de soulèvement	24023	24023	1
42	25026	25026	1	Bouton de soulèvement	25026	25026	1
43	26656	26656	1	Thermocouple, connecteur	26656	26656	1
44	—	—	2	Borne "Y"	—	—	2
45	23676	—	1	Support, montage du moteur	—	—	1
46	26226	—	1	Douille universelle	—	—	1
47	21667	21667	1	Assemblage tuyau/régulateur	21667	21667	1
48	70056	70056	1	Manuel d'utilisation	70056	70056	1
49	28510	28510	1	Étiquette, modèle	28510	28510	1
50	27783	27783	1	Étiquette, instr. d'utilisation	27783	27783	1
51	26374	26374	1	Étiquette, mise à la terre	26374	26374	1
52	27709	27709	1	Étiquette, carburant	27709	27709	1
53	27503	27503	1	Étiquette, sch. câblage	27503	27503	1
54	26373	26373	1	Étiquette, rotation ventilateur	26373	26373	1
55	28203	28203	1	Étiquette suspendue, LP	28203	28203	1
56	27704	27704	1	Étiquette, avertissement	27704	27704	1
57	26375	26375	1	Étiquette, réglage de hauteur	26375	26375	1
58	26225	—	1	Étiquette, réglage Btu/h	26376	26376	1
59	29224	26224	1	Composant non illustré sur la vue éclatée.	—	—	1

SCHEMAS DE CÂBLAGE

SCH MA DE CONNEXION



SCH MA DE CIRCUITS



COLOR CODE	LEGEND
B NOIR	— Y — CONNECTEUR FEMELLE
Y JAUNE	— O — RONDELLE D ACCOUPLEMENT
W BLANC	
G VERT	

NOTA:

SI DU CÂBLAGE D'ORIGINE FOURNI AVEC L'APPAREIL DE CHAUFFAGE DOIT ÊTRE REMPLACÉ, IL DOIT L'ÊTRE PAR DU CÂBLAGE DE TYPE AWG 105° C OU UN ÉQUIVALENT, À MOINS D'INDICATION CONTRAIRE (*Type SF 2.200, **SGI-250° C)

SCHEMA DE CÂBLAGE

55FAV, 85FAV, 125FAV

Couleur Longueur	De	à
Jaune 18" (406mm)	Interrupteur De Commande À Maximum	Interrupteur De Commande À Maximum
Jaune 18" (406mm)	Interrupteur De Commande À Maximum	Interrupteur De Commande À Maximum

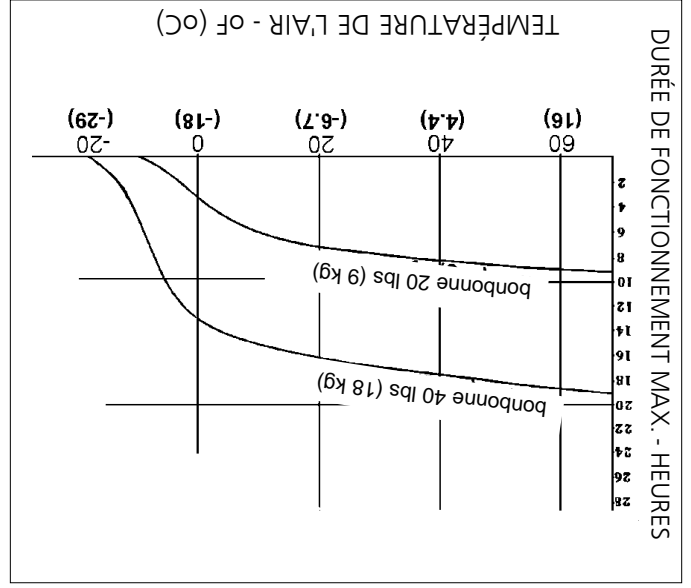
TABLEAU DE DIMENSIONS ET CONTENANCES DES BONBONES DE GAZ PROPANE REQUISES

Les tableaux qui suivent indiquent la taille approximative de la bonbonne de gaz requise pour ces appareils de chauffage. Pour utiliser le tableau :

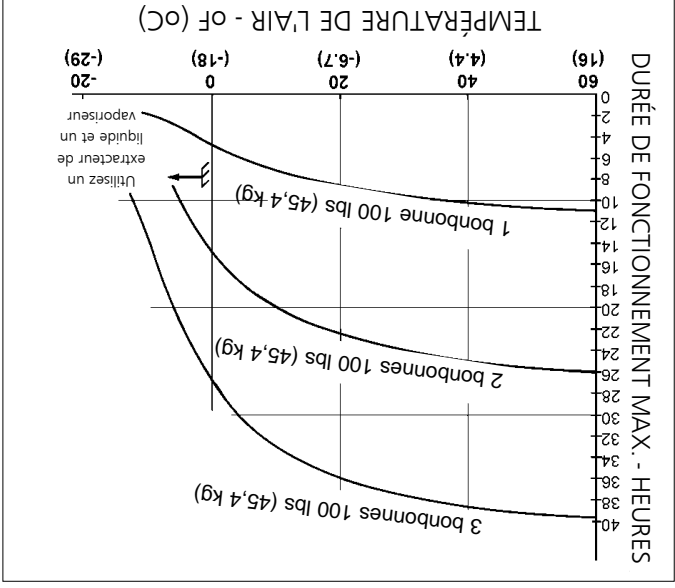
1. Sélectionnez la température de l'air la plus basse prévue (au bas du tableau).
2. Allez ensuite directement au haut du tableau au temps d'utilisation désiré (côté gauche du tableau).
3. Notez la dimension de la bonbonne requise.

Tous les appareils de chauffage doivent :

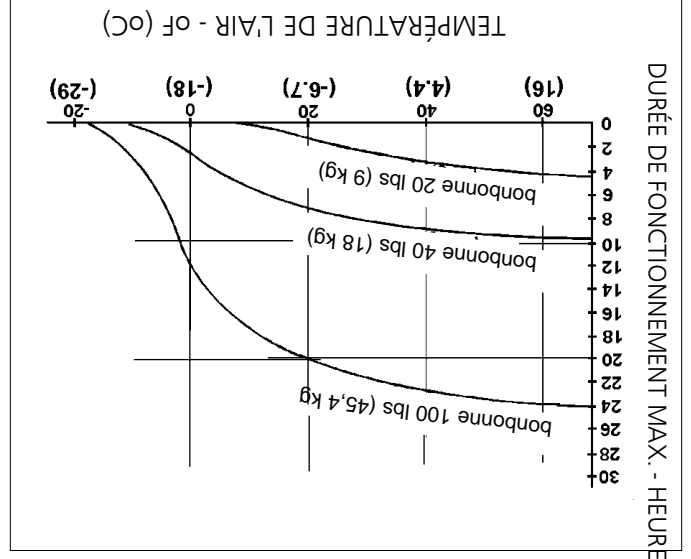
- être munis de bonbonne pleine
- disposer d'une bonne circulation d'air
- ne présenter aucun signe de givre



55 000 BTU/H (16,1 kW)



125 000 BTU/H (49,1 kW)



85 000 BTU/H (33,4 kW)

INSTRUCTIONS DE FONCTIONNEMENT

1. Vérifiez soigneusement tout dommage qu'aurait pu subir l'appareil de chauffage pendant l'expédition. Si vous en découvrez, avertissez *immédiatement* le fabricant.

2. Respectez toutes les « Précautions ».

3. Branchez le raccord POL (fillet à gauche) du tuyau et du régulateur en tournant l'écran POL en sens anti-horaire dans la sortie du robinet de la bonbonne de gaz propane, puis serrez-le avec une clé.

4. Raccordez le tuyau à l'appareil de chauffage en tournant le raccord en sens horaire.

5. Serrez fermement toutes les connexions de gaz.

6. Ouvrez le robinet de gaz de la bonbonne et vérifiez toutes les connexions au moyen d'un mélange d'eau et de savon.

7. Raccordez le cordon d'alimentation à une source d'alimentation électrique de 115 V, 60 Hz, 1 Ø, mise à la terre correctement.

8. Lorsque vous utilisez une rallonge électrique, assurez-vous que celle-ci comporte trois fils (mis à la terre) de dimension appropriée.

DÉMARRAGE

1. Avant d'allumer l'appareil de chauffage, laissez toujours le ventilateur de l'appareil fonctionner pendant 20 secondes pour éliminer le gaz combustible.

2. Ouvrez lentement le robinet principal de la bouteille de propane.

3. Enfoncez le bouton du robinet de gaz pour allumer les modèles 55FAV, 85FAV et 125FAV.

4. Une fois le brûleur allumé, gardez le bouton du robinet de gaz enfoncé pendant 15 secondes avant de le relâcher, et l'appareil de chauffage restera en fonction.

5. Réglez le taux de combustion avec le clapet à bille au réglage souhaité.

6. L'allumeur fonctionne tant que le cordon d'alimentation est branché.

a) L'allumeur est continuellement en marche

7. Aucun thermostat n'est disponible pour ces unités.

ARRÊT

1. Fermez le robinet sur la bonbonne de gaz propane.

2. Laissez l'appareil fonctionner jusqu'à ce que tout le gaz dans le tuyau ait brûlé.

3. Débranchez le cordon d'alimentation.

REDÉMARRAGE APRÈS UN ARRÊT D'URGENCE

1. Fermez complètement le robinet sur la bonbonne de gaz propane. Débranchez l'appareil de chauffage.

2. Attendez cinq minutes.

3. Recommencez la procédure « DÉMARRAGE ».

ENTRETIEN ET ENTREPOSAGE

1. L'appareil de chauffage doit être vérifié avant chaque utilisation et au moins une fois par année par un technicien qualifié.

2. Avant chaque utilisation, vérifiez l'assise du joint torique souple à la partie arrondie du raccord POL (fillet à gauche). Si le joint torique est coupé, usé ou endommagé de quelque façon, remplacez-le par la pièce n° 73786.

3. Coupez l'alimentation en gaz propane liquéfié quand l'appareil n'est pas utilisé.

4. Quand l'appareil de chauffage est rangé à l'intérieur, la connexion entre la bonbonne d'alimentation en gaz propane liquéfié et l'appareil doit être débranchée et la bonbonne doit être retirée de l'appareil et rangée à l'extérieur, tel que précisé au chapitre 5 de la norme relative au rangement et à la maintenance des produits de pétrole liquéfiés ANSI/NFPA 58 et CSA B149.1 du Code d'installation du gaz naturel et du gaz propane.

ENTRETIEN

Un appareil de chauffage qui a été modifié ou qui ne fonctionne pas correctement risque d'être une cause de dangers. Lorsqu'il fonctionne correctement :

- La flamme reste dans l'appareil de chauffage.

- La flamme a une teinte bleue avec des pointes de couleur jaune.

- Il n'y a pas de forte odeur désagréable, ni de sensation de brûlure aux yeux, ni de malaise physique en général.

- Il n'y a pas de production de fumée ou de suie à l'intérieur ou à l'extérieur de l'appareil de chauffage.

- Il ne se produit pas d'arrêts imprévus ou inexplicables de l'appareil.

La liste des pièces et le schéma de câblage présentent l'appareil de chauffage tel qu'il a été construit. N'utilisez pas un appareil de chauffage qui diffère de ce qui est illustré. N'utilisez à cet effet que le tuyau, le régulateur et le raccord de bonbonne (appelé **IMPORTANT** Faire correspondre la bande de couleur de l'étiquette fixée au tuyau à la couleur de l'étiquette près du raccord d'entrée de gaz propane. N'utilisez aucun élément de substitution. Sur cet appareil de chauffage, le régulateur doit être réglé tel qu'indiqué à la rubrique « Spécifications » : Si vous avez un doute au sujet du réglage du régulateur, faites-le vérifier. Si un appareil de chauffage ne fonctionne pas correctement, il doit être réparé, mais seulement par un technicien formé et expérimenté.

Les produits couverts par la garantie seront réparés sans frais, pièces et main-d'œuvre comprises. Veuillez joindre une courte description de la nature du problème avec la date, le lieu et la preuve d'achat.

Les produits non couverts par la garantie seront réparés aux frais (pièces et main-d'œuvre) du client.

AVERTISSEMENT LIÉ AUX SUBSTANCES ODORANTES

AVERTISSEMENT



- Ce tableau ne doit pas être utilisé pour le chauffage de locaux où demeurent des gens. Ne l'utilisez pas dans des endroits non aérés. Le débit de chaleur et d'air de ventilation ne doit pas être obstrué.
- Le processus de combustion de cet appareil exige un apport adéquat en air de ventilation.
- Consultez la rubrique portant sur les spécifications techniques dans le manuel de l'appareil ou sur la plaque de données de l'appareil, ou communiquez avec le fabricant pour obtenir les renseignements relatifs aux exigences en apport d'air de ventilation pour la combustion.
- Le processus de combustion ne peut s'effectuer correctement si l'apport en air de ventilation est insuffisant.
- Une combustion inadéquate produit des émissions nocives de monoxyde de carbone pouvant entraîner des troubles de santé graves, voire mortels. Les symptômes d'empoisonnement au monoxyde de carbone sont les maux de tête, les étourdissements et la difficulté respiratoire.

ODEUR DE GAZ COMBUSTIBLE
Des additifs odorants ont été ajoutés au gaz propane liquéfié et au gaz naturel dans le but de faciliter la détection de fuites.
Vous devriez remarquer une odeur de gaz combustible si il y a une fuite. Comme le gaz propane (liquéfié) est plus lourd que l'air, l'odeur de gaz se détecte plus facilement près du sol. **TOUTE ODEUR DE GAZ EST UN SIGNAL QU'IL FAUT INTERVENIR IMMÉDIATEMENT!**

- Ne prenez aucune mesure qui provoquerait l'allumage des vapeurs de gaz. N'utilisez aucun interrupteur électrique. Ne tirez sur aucune source d'alimentation électrique ou rallonge électrique. N'allumez pas d'allumettes ni aucune source de flamme. N'utilisez pas votre téléphone.
- Faites évacuer immédiatement toute personne se trouvant dans l'immeuble.
- Fermez tous les robinets d'alimentation du réservoir de gaz propane (liquéfié) ou de la bonbonne, ainsi que le robinet d'alimentation principale située sur le compteur, si vous utilisez du gaz naturel.
- Le gaz propane (liquéfié) est plus lourd que l'air et peut s'accumuler dans des endroits près du sol. Si vous croyez qu'il y a une fuite de gaz propane, éloignez-vous des endroits plus bas.
- Utilisez le téléphone d'un voisin et communiquez avec votre fournisseur en gaz combustible et votre service d'incendies. Ne retournez pas dans l'immeuble ou dans l'extérieur.
- N'entrez pas dans l'immeuble et restez-en à l'écart jusqu'à ce que le personnel du service des incendies ou le fournisseur en gaz combustible ait confirmé que l'endroit ne comporte aucun risque.
- EN DERNIER LIEU, laissez le personnel du service des

SUBSTANCE ODORANTE AUCUNE ODEUR DÉCELÉE

- Certaines personnes ne détectent pas bien les odeurs. Il est donc possible que certaines personnes ne puissent sentir la substance odorante ajoutée au gaz propane (liquéfié) ou au gaz naturel. Vous devez savoir si vous arrivez à déceler l'odeur de cette substance dans le gaz combustible.
- Apprenez à reconnaître l'odeur du gaz propane et celle du gaz naturel. Pour ce faire, les détaillants de gaz propane (liquéfié) locaux seront heureux de vous fournir un feuillet comprenant une pastille à humer. Servez-vous de cette pastille pour vous aider à reconnaître l'odeur de gaz combustible.
- Le tabagisme peut nuire à votre faculté olfactive. Votre facilité à déceler une odeur quelconque peut s'estomper si vous demeurez un certain temps dans un endroit où cette odeur est présente. La présence d'animaux dans des endroits clos peut aussi masquer l'odeur du gaz combustible.
- La substance odorante contenue dans le gaz propane (liquéfié) et le gaz naturel est incolore et, selon certaines circonstances, son odeur pourrait s'estomper.
- En cas de fuite souterraine, le déplacement du gaz dans le sol peut filtrer l'odeur.
- L'intensité de l'odeur du gaz propane (liquéfié) peut varier à différents niveaux. Étant donné que le gaz propane (liquéfié) est plus lourd que l'air, l'odeur peut être plus prononcée à des niveaux inférieurs.
- Portez toujours attention à la moindre odeur de gaz. Si une odeur de gaz persiste, même si elle est minime, agissez comme s'il s'agissait d'une fuite importante. Intervenez immédiatement tel que décrit précédemment.

ATTENTION POINTS ESSENTIELS À RETENIR

- Le gaz propane (liquéfié) dégage une odeur particulière. Apprenez à reconnaître cette odeur. Consultez les rubriques Odeur du gaz combustible et Substance odorante, ci-dessus.
- Même si vous n'avez pas été formé pour effectuer l'entretien et la réparation de l'appareil, soyez TOUTOUCOUPS attentif aux odeurs que dégagent le gaz propane (liquéfié) et le gaz naturel.
- Si vous n'êtes pas formé pour procéder à l'entretien et à la réparation des appareils au gaz propane (liquéfié), ne tentez pas d'allumer l'appareil, de le réparer ou de l'entretenir, ni d'apporter des réglages au système d'alimentation en gaz propane de l'appareil.
- Peu importe les conditions, une bonne pratique de sécurité consiste à sentir de temps à autre autour de l'appareil, des raccords, du tuyau et autres éléments. Si l'appareil, des raccords, du tuyau et autres éléments IMMÉDIATEMENT AVEC VOTRE FOURNISSEUR EN GAZ COMBUSTIBLE. N'ATTENDEZ PAS!

PRÉCAUTIONS LIÉES À LA SÉCURITÉ

1. Vérifiez attentivement si l'appareil de chauffage a subi des dommages. NE FAITES PAS fonctionner un appareil endommagé.
2. NE MODIFIEZ PAS l'appareil de chauffage et ne le faites pas fonctionner s'il n'est plus dans son état d'origine.
3. Utilisez uniquement du gaz propane.
4. Utilisez uniquement une alimentation au propane à ÉLIMINATION DES ÉMANATIONS. Si vous avez des questions à propos de l'élimination des émanations, consultez votre détaillant de gaz propane.
5. Installez les bonbonnes de propane verticalement (robinet de fermeture vers le haut). Fixez-les comme il convient de sorte qu'ils ne puissent se décrocher accidentellement et protégez-les contre les dommages.
6. Placez les réservoirs de gaz propane à une distance minimale (aux États-Unis) de 2,13 m (7 pi) ou (au Canada) de 3 m (10 pi) de l'appareil de chauffage et **n'orientez pas** l'échappement directement vers les réservoirs.
7. **IMPORTANT** Utilisez uniquement le tuyau et le régulateur fournis avec l'appareil. Faites correspondre la bande de couleur de l'étiquette fixée au tuyau à la couleur de l'étiquette située près du raccord d'entrée de gaz propane sur l'appareil. Inspectez le tuyau avant chaque utilisation de l'appareil de chauffage. En cas d'abrasion, d'usure excessive ou de coupure, remplacez le tuyau par l'ensemble de tuyaux recommandé avant d'utiliser l'appareil de chauffage.
8. Pour utilisation intérieure seulement. La ventilation doit être adéquate. **Figure 1.** (Voir également « Précautions liées au fonctionnement »).
9. Si une odeur de gaz est détectée, ARRÊTEZ IMMÉDIATEMENT l'appareil de chauffage jusqu'à ce que la source d'émission du gaz ait été localisée et colmatée. Veuillez lire le feuillet « Substance odorante et gaz propane » ci-joint pour obtenir plus de précisions relatives à la détection de fuites de gaz propane.
10. Placez l'appareil de chauffage de façon à ce qu'il ne soit pas exposé directement à l'eau.
11. Conservez un écart minimal entre l'appareil et tout matériel combustible (tel que du papier). **Figure 2.**
12. En raison des températures élevées de la surface et de l'échappement, les adultes et les enfants doivent respecter les distances de sécurité pour éviter des brûlures et l'inflammation des vêtements.
13. Utilisez uniquement sur des surfaces stables et de niveau.
14. N'utilisez pas l'appareil avec des conduits d'air.
15. N'obstruez pas l'entrée et la sortie d'air.
16. N'utilisez qu'avec une prise ou une rallonge mise à la terre munie de trois broches.
17. Ne déplacez pas l'appareil, ne le touchez pas et n'essayez pas d'en faire l'entretien alors qu'il est chaud.
18. Vous ne devez jamais ajuster la hauteur du tube de combustion de l'appareil de chauffage lorsque l'appareil est chaud ou fonctionne. Les réglages de hauteur doivent être faits uniquement lorsque l'appareil n'est pas chaud au toucher.
19. Utilisez l'appareil en observant les codes de sécurité en vigueur localement ou référez-vous aux normes relatives à l'entreposage et à la maintenance des produits de pétrole liquéfiés ANSI/NFPA 58 et CSA B149.1 du Code d'installation du gaz naturel et du gaz propane.

ÉNERCO GROUP, INC. | Appareil de chauffage à air pulsé au gaz propane pour chantier de construction

Figure 1 : Ouvertures minimales requises

Ouverture	près du plancher	près du plafond
Ouverture	1 pi ² 1 pi ²	1 pi ² 2 pi ²
Appareil de chauffage	1 pi ² 1 pi ²	1 pi ² 2 pi ²

Figure 2

Écart	Air pulsé 55, 85, 125
Du plancher	0 pi
De la sortie	6 pi
Des côtés	2 pi
Du dessus	3 pi

ÉCART MINIMUM : entre l'appareil et tout matériel combustible.

Placez l'appareil à 3 m (10 pi) des baches et des revêtements similaires, et fixez-les afin d'empêcher tout battement ou mouvement causé par le vent.

SPÉCIFICATIONS

Modèle :	55FAV	85FAV	125FAV
évaluée à :	30 000 à 55 000	50 000 à 85 000	75 000 à 125 000
Btu/h	(de 8,8 à 16,1 kW)	(de 14,6 à 25,0 kW)	(de 21,9 à 36,6 kW)
Consommation de gaz :	De 0,64 à 1,1 kg/h	De 1,04 à 1,77 kg/h	De 1,59 à 2,63 kg/h
	(de 1,4 à 2,5 lb/h)	(de 2,3 à 3,9 lb/h)	(de 3,5 à 5,8 lb/h)
Nombre d'orifices de combustible :	18	18	18
Dimension des orifices :	0,50 mm	0,6024 mm	0,75 mm
	(0,0196 po)	(0,0240 po)	(0,0295 po)
Sortie d'air chauffé :	8,49 m ³ /min	9,91 m ³ /min	9,91 m ³ /min
	(300 pi ³ /min)	(350 pi ³ /min)	(350 pi ³ /min)
Élev. moyenne temp. de l'air :	111 °C (200 °F)	111 °C (200 °F)	232 °C (400 °F)

PRÉCAUTIONS LIÉES AU FONCTIONNEMENT

Cet appareil de chauffage à air pulsé et à feu direct fonctionne au gaz propane. Il est destiné principalement à chauffer temporairement des édifices en construction, en rénovation ou en réparation.

Le gaz propane est plus lourd que l'air. Si du gaz propane fuit d'une connexion ou d'un raccord, il se dirige vers le plancher, se mélange avec l'air ambiant et forme un mélange potentiellement explosif. Évidemment, les fuites de gaz propane devraient être évitées; il est donc important de raccorder l'alimentation en propane avec le plus grand soin. Veuillez lire le feuillet « Substance odorante et gaz propane » ci-joint pour obtenir plus de précisions relatives à la détection de fuites de gaz propane. Vérifiez la présence de fuite aux nouvelles connexions et raccords en utilisant un mélange d'eau et de savon et suivez les instructions mentionnées. Obtenez également les conseils de votre détaillant quant à votre installation au propane et posez-lui toute question que vous auriez à cet égard.

Cet appareil a été conçu et homologué pour être utilisé comme appareil de chauffage pour chantier de construction, conformément à la norme Z83.7/CGA 2,14-2000 de l'ANSI. Soumettez à l'organisme local responsable de la sécurité et des incendies toute question relative à votre type d'installation. Selon le type d'application, d'autres normes peuvent s'appliquer et régir l'utilisation de produits de combustion, de gaz combustible et des appareils de chauffage. L'organisme local qui en est responsable saura vous conseiller à cet égard.

Le fonctionnement à feu direct de cet appareil signifie que tous les produits de combustion se retrouvent dans l'air ambiant. Même si l'efficacité de combustion de l'appareil de chauffage est presque complète, il produit quand même de petites quantités de monoxyde de carbone. Le monoxyde de carbone (appelé CO) est toxique. Notre organisme ne peut en supporter que de faibles quantités. Il est possible que le CO s'accumule dans le local à chauffer. Une ventilation inadéquate pourrait ainsi causer la mort. Les symptômes ressentis en cas de ventilation inadéquate sont les suivants :

- mal de tête
- étourdissement
- sensation de brûlure au nez et aux yeux
- nausée
- mal de gorge ou bouche sèche

Assurez-vous donc de respecter les conseils au sujet de la ventilation mentionnés dans ces instructions.

Un appareil à air pulsé signifie que l'air est soufflé dans l'appareil de chauffage par un ventilateur. La qualité de la combustion dépend du débit d'air. Par conséquent, l'appareil de chauffage ne doit pas être modifié ni fonctionner si des pièces sont manquantes. Dans le même ordre d'idées, les systèmes de sécurité ne doivent pas être contournés ni modifiés pour faire fonctionner l'appareil.

Lorsque l'appareil de chauffage doit fonctionner en présence d'autres personnes, l'utilisateur est responsable d'informer ces dernières des instructions et précautions liées à la sécurité et de les avertir des dangers inhérents.

TABLE DES MATIÈRES

2 SPÉCIFICATIONS 2

2 AVERTISSEMENTS 2

3 PRÉCAUTIONS LIÉES AU FONCTIONNEMENT 3

4 PRÉCAUTIONS LIÉES À LA SÉCURITÉ 4

5 AVERTISSEMENT LIÉ AUX SUBSTANCES ODORANTES 5

6 INSTRUCTIONS DE FONCTIONNEMENT 6

6 ENTRETIEN 6

7 TABLEAU DE DIMENSIONS ET CONTENANCES 7

8 SCHEMAS DE CÂBLAGE 8

9 PIÈCES POUR LE MODÈLE 55FAV 9

10 PIÈCES POUR LE MODÈLE 85FAV 10

11 PIÈCES POUR LE MODÈLE 125FAV 11

12 GARANTIE 12

SPÉCIFICATIONS

Type de gaz : Pour utilisation de gaz propane
seulement

Pression de l'alimentation en gaz
au régulateur Max. : Pression de la bonne
à la sortie du régulateur : 28" W.C. (6,97
kPa)

Minimum : 34,5 kPa (5 lb/poz)

Consommation électrique : 115 V, 60 Hz, 1 Ø, 3 A

Tension de fonctionnement min. : 100 V

Allumage : Par étincelle

Commande principale de la flamme : ... Robinet à gaz activé par
thermocouple

Commande de température
maximale : 116 °C (240 °F)

Temp. ambiante min. évaluée à
-17,8 °C (0 °F)

AVERTISSEMENT : VOTRE SÉCURITÉ
PERSONNELLE ÉTANT IMPORTANTE POUR TOUS,
VEUILLEZ LIRE LES INSTRUCTIONS AVANT
D'UTILISER CET APPAREIL DE CHAUFFAGE.

**AVERTISSEMENT GÉNÉRAL DE
DANGER** :

LE NON-RESPECT DES MESURES DE
PRÉVENTION ET INSTRUCTIONS FOURNIES AVEC
CET APPAREIL DE CHAUFFAGE RISQUE DE
CAUSER LA MORT, DES BLESSURES GRAVES ET
DES DOMMAGES OU DES PERTES MATÉRIELLES
RÉSULTANT D'INCENDIE, D'EXPLOSION, DE
BRÛLURE, D'ASPHYXIE, D'INTOXICATION AU
MONOXYDE DE CARBONE OU
D'ÉLECTROCUTION.

SEULES LES PERSONNES APTES À
COMPRENDRE ET À RESPECTER LES INSTRUC-
TIONS DEVAIENT UTILISER OU EFFECTUER
L'ENTRETIEN DE CET APPAREIL DE CHAUFFAGE.

SI VOUS AVEZ BESOIN D'AIDE OU
D'INFORMATION AU SUJET DE L'APPAREIL DE
CHAUFFAGE (MANUEL D'INSTRUCTIONS,
ÉTIQUETTES, ETC.), VEUILLEZ COMMUNIQUER
AVEC LE FABRICANT.

AVERTISSEMENT : L'UTILISATION DE CET
APPAREIL CRÉE DES SOUS-PRODUITS DE COM-
BUSTION CONTENANT DU MONOXYDE DE
CARBONE, UN PRODUIT CHIMIQUE RECONNU PAR
L'ÉTAT DE LA CALIFORNIE COMME CAUSE DE
CANCER ET D'ANOMALIES CONGÉNITALES (OU
AUTRES RISQUES POUR LA REPRODUCTION).

**L'état de la Californie exige que l'avertissement suivant
soit fourni :**

AVERTISSEMENT : DANGER D'INCENDIE,
D'EXPLOSION ET D'INHALATION. CONSERVEZ LES
MATÉRIAUX COMBUSTIBLES TELS QUE LES
MATÉRIAUX DE CONSTRUCTION, LE PAPIER ET LE
CARTON À UNE DISTANCE SÉCURITAIRE DE
L'APPAREIL DE CHAUFFAGE COMME LE
RECOMMANDENT LES INSTRUCTIONS. N'UTILISEZ
JAMAIS L'APPAREIL DE CHAUFFAGE DANS UN LOCAL
QUI CONTIENT OU RISQUE DE CONTENIR DES
PARTICULES COMBUSTIBLES EN SUSPENSION
DANS L'AIR OU DES PRODUITS TELS QUE DE
L'ESSENCE, DES SOLVANTS, DU DILUANT À
PEINTURE, DES PARTICULES DE POUSSIÈRE OU
DES PRODUITS CHIMIQUES INCONNUS.

AVERTISSEMENT : NON CONÇU POUR
UNE UTILISATION DANS LA MAISON OU UN
VÉHICULE RÉCRÉATIF

GUIDE D'UTILISATION ET INSTRUCTIONS DE FONCTIONNEMENT

MR. HEATER

MH55FAV, MH85FAV
MH125FAV

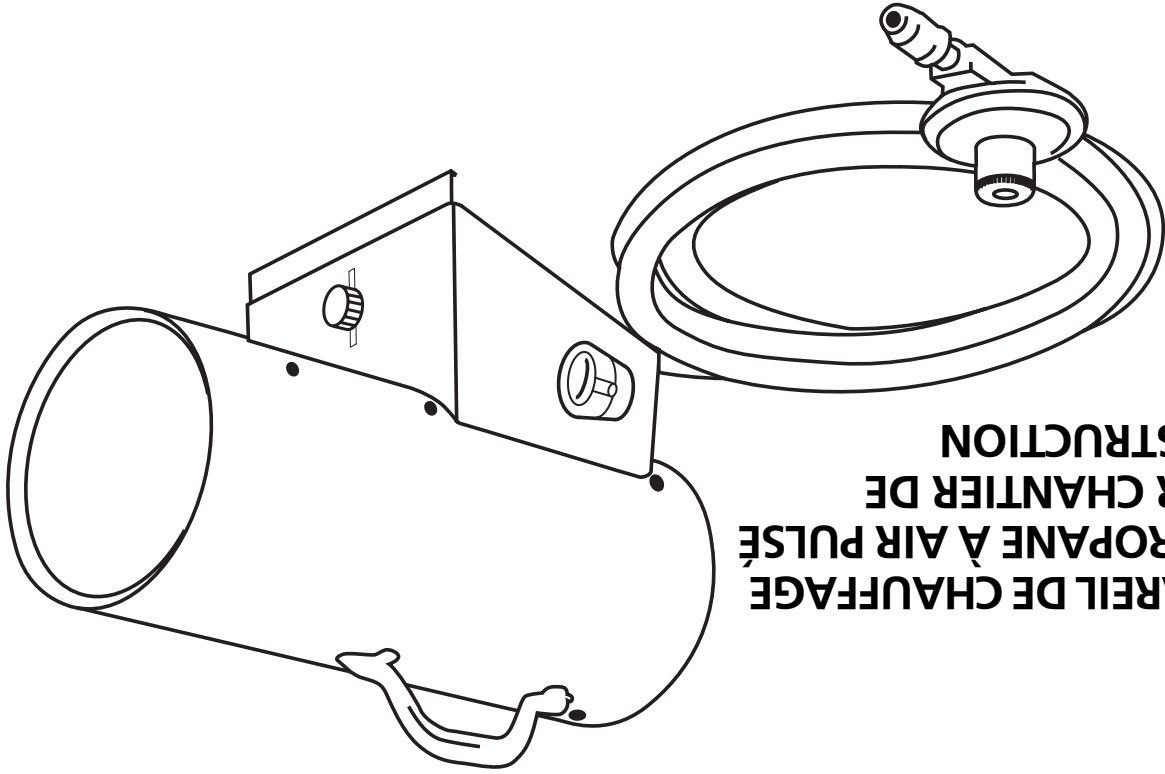
MODÈLE

LISEZ SOIGNEUSEMENT LES INSTRUCTIONS :
Conservez les instructions en sécurité pour vous y référer ultérieurement. Interdisez à quiconque n'ayant pas lu les présentes instructions d'assembler, d'allumer, de régler ou de faire fonctionner cet appareil de chauffage.

HEATSTAR

H55FAV, H85FAV
HS125FAV

MODÈLE



APPAREIL DE CHAUFFAGE AU PROPANE À AIR PULSÉ POUR CHANTIER DE CONSTRUCTION

AVERTISSEMENT : Le fait de ne pas respecter les instructions données dans le présent guide avec exactitude risque d'entraîner une explosion ou un incendie causant des dommages matériels, des blessures et des pertes de vie.

- N'entreposez ni n'utilisez d'essence ou autres liquides ou vapeurs inflammables à proximité de ce type d'appareil.
- Aucune bonbonne de propane liquéfié non raccordée pour utilisation ne doit se trouver à proximité de cet appareil, ni d'aucun autre appareil.
- EN PRÉSENCE D'UNE ODEUR DE GAZ
 - Ne tentez pas d'allumer l'appareil de chauffage.
 - Éteignez toute flamme nue.
 - Fermez l'alimentation en gaz à l'appareil.
- L'entretien doit être effectué par un fournisseur de services d'entretien qualifié.

Cet appareil de chauffage portatif alimenté au gaz n'est pas ventilé. Il utilise l'oxygène de l'air ambiant. Une circulation d'air adéquate doit être assurée pour la combustion et la ventilation. Voir page 3.